

## Statement for the LONGi Anti-Reflection Coating Glass

Dear Customer(s),

Thank you for choosing LONGi products!

LONGi Solar produces high quality solar modules complying with many international standards including IEC 61215 and IEC 61730 defining module requirements for terrestrial use.

Therefore, LONGi, in manufacturing process, has used high quality and reliability material, operated the strict quality control actions to fulfill customer's expectation.

For the glass used for LONGi **HIM05 54c** serial modules, they all have anti-reflection coating to reduce the light reflected from cell surface, in order to increase the module performance. Attaching the datasheet of LONGi glass in the *<Appendix>* for the reference.

Then LONGi provide 12 years product warranty for all modules, and 25 years performance warranty for monofacial module, 30 years performance warranty for bifacial module, as long as the LONGi standard installation manual is followed.

Thank you for your understanding and welcome your comments or suggestions. If you have any further question, please contact LONGi PV Sales or Global Customer Service Department.

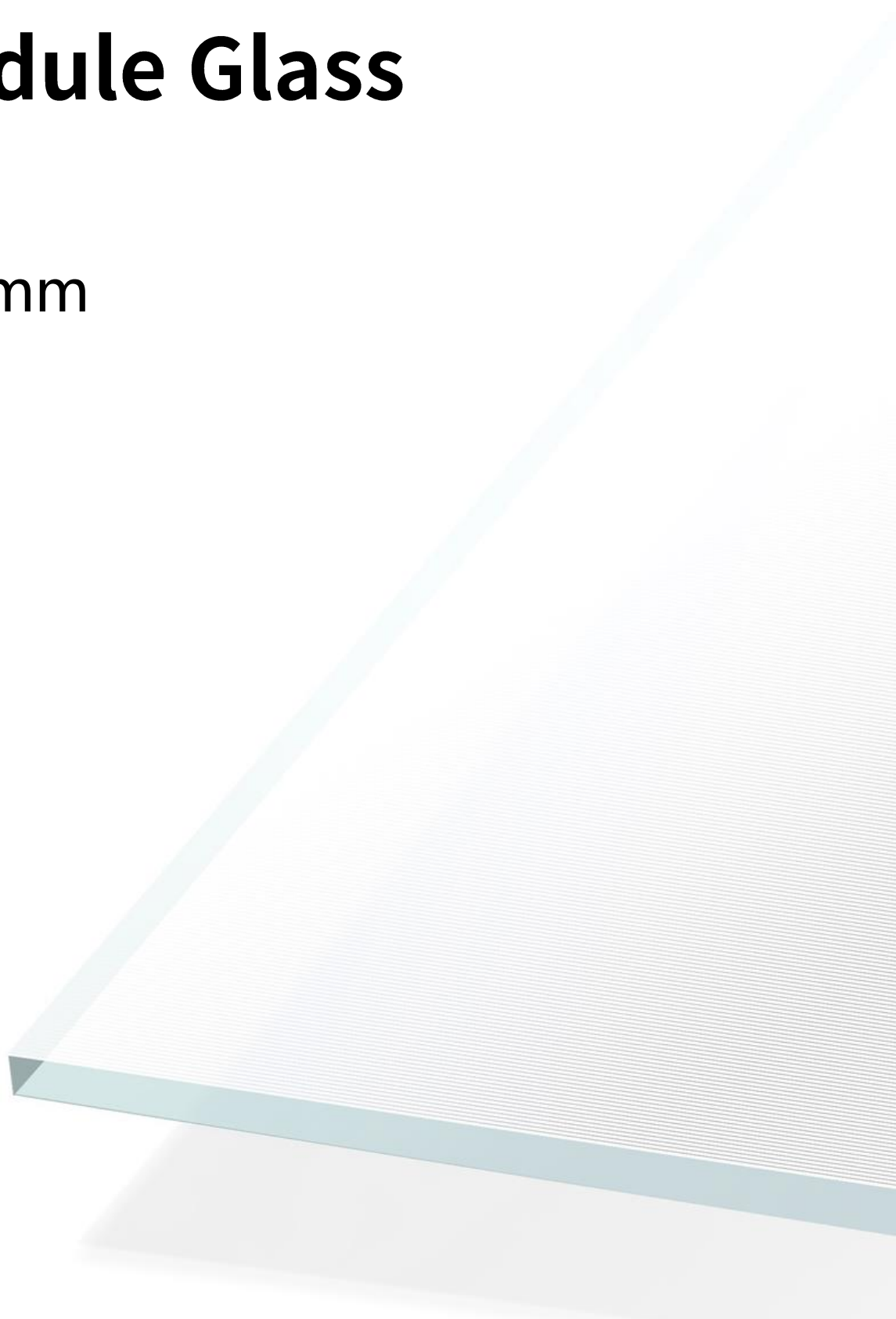


LONGi Solar Technology Co., Ltd

# PV Module Glass

Specification ( $\pm 0.2\text{mm}$ )

3.2 / 2.0 mm



## Complete System and Product Certifications

IEC 61215, IEC 61730, UL 61730

ISO 9001: 2015 ISO Quality Management System

ISO 14001: 2015 ISO Environment Management System

ISO 45001: 2015 ISO Occupational Health and Safety

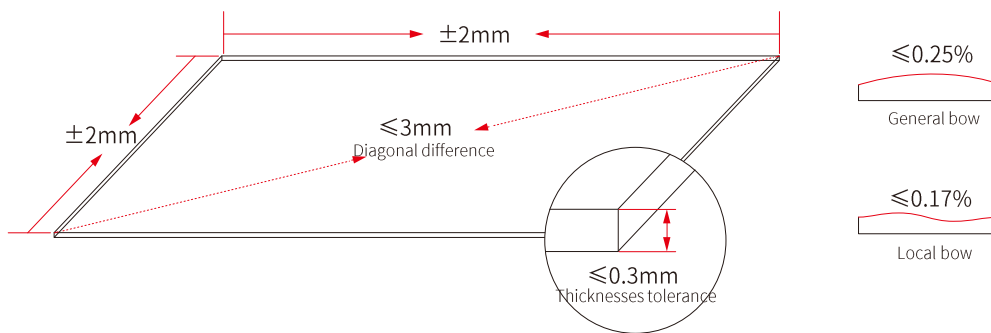
TS 62941 Guideline for module design qualification and type approval



# PV Module Glass

## Glass size

Glass thicknesses tolerance	Thickness difference of the same glass $\leq 0.3\text{mm}$
Length and width tolerance	$\pm 2\text{mm}$
Diagonal difference	Maximum 3mm
Flatness	General Bow $\leq 0.25\%$ , Local Bow $\leq 0.17\%$



## Main Parameters

Light transmittance of embossed coated glass	Within the spectral wavelength range of 380~1100nm, $\geq 93.8\%$
Light transmittance of embossed glazed glass	Within the spectral wavelength range of 380~1100nm, $\geq 91.6\%$
Hardness	$\geq 3\text{H}$
Adhesion	Class 0
Salt spray test	Transmittance loss less than 1%
Thermal cycle test	Transmittance loss less than 1%
Hot and humid test	Transmittance loss less than 1%
UV test	Transmittance loss less than 1%
Reflectivity of embossed glazed glass	Within the spectral wavelength range of 380~1100nm, $\geq 75.0\%$
Reflectivity of float glazed glass	Within the spectral wavelength range of 380~1100nm, $\geq 75.0\%$

## Storage Conditions and Shelf life

After the date of manufacture, the glass could be kept for 6 months.

The glass should be sealed, and it is suggested to be used immediately after opening the package.